



Smart Way Of Living

GROOMIX ENTERPRISES

Address: Shop No. F1, Shyama Complex near Tedi Puliya, Sector 14 Vikas Nagar, Lucknow-226022, Uttar Pradesh, India

Mobile: +91-9125110098, Email: info@groomix.com, Website1: groomix.com, Website2: groomix.in

Model: WPC360P3 V6.0

DATASHEET

Date: 03rd march 2021

Groomix - water pump controller

Features

- ✓ Three pump controls, simultaneously.
- ✓ Any pump can be enable or disable
- ✓ Two pump operation mode namely Parallel operation and Toggle operation
- ✓ Manual start and stop of enabled pumps
- ✓ Manual start and overflow stop
- ✓ Manual start and timer stop
- ✓ Fully automatic auto start and auto stop using sensors in tank
- ✓ Easy selection of start panel like Single switch type or Two switch type
- ✓ Set any time between 0min to 255min for timer stop
- ✓ Set maximum run time of pump to any time between 0min to 255min
- ✓ Set any checking time to check whether water is available in supply source
- ✓ Set any valve (0min to 255min) for pump waiting time
- ✓ Enable or disable buzzer sound from setting
- ✓ High durability floating magnet sensors for water level sensing.
- ✓ Input for water source checking
- ✓ Zero potential NC and NO connection
- ✓ Maximum Run Time setting to protect pump over-run due to sensor error, over water consumption or unknowingly opened water tap
- ✓ 100% Made in India, Made by Indians and Made for India
- ✓ 1 year of manufacturing warranty

Description

This water pump controller is designed to control three water pumps automatically and simultaneously. Any pump can be enable or disable. Fully automatic using sensors and timer stop. This model is best for high capacity water supply system where multiple pumps are installed like apartments, hotels, organizations, multi-storey buildings.

Controller Mode:

1. **Manual Mode:** In this mode, you can start pumps manually by pressing “OK” button.
2. **Overflow Stop Mode:** For this mode you need to install a stop sensor in you tank (see connection diagram). You have to turn on pump manually by pressing “OK” button and it will automatically turn OFF your pump when water level touches the stop sensor.
3. **Timer Stop Mode:** In this mode, first you have to set timer value (see in setting description). If you had set the timer value of yours (once only), then if you turn on pump manually by pressing “OK” button, it will automatically turn of pump after timer value that had set. You can also turn off manually before timer stop by pressing “OK” button.
4. **Auto Start and Auto Stop Mode:** In this mode, you need to install both sensors (start and stop sensors as show in connection diagram). This mode will automatically start your pump when water level will go below “start sensor” and automatically stop pump when water level will touches the “stop sensor”. If water level is below “stop level” and pump is in off mode, you can also start it by pressing “OK” button. In auto start and stop mode, there is an optional sensor called “check sensor”. It senses water when it got short. When your water source is not always available the you can set this sensor. Controller will check availability of water for 3 min (default) and if water is not detected within 3min then it will turn off pump and wait for 15min(default) and again turn on water pump for 3min. value of checking time and waiting time can be change from setting option (see setting for detail). If in any case, you pump is running more than your expected time (may be due to error in sensors, wire or

consumption of water etc.), “maximum run time” protection will turn off you pump automatically. You can set “maximum run time” value in setting option (see setting description).

Pump Operating Mode:

1. **Parallel Operate:** In this pump operation, all enabled pump will run at same time (in parallel).
2. **Toggle Operate:** In this pump operation, pump will run alternatively means if pump-1 is running then in next start pump-2 will run if it is enabled otherwise pump-3 will run and so on.

Pump Protect features:

1. **Maximum Run time setting:** Pump will be turn off if it is running on auto mode and pump on time is more then your set value of “maximum run time”
2. **Dry Run Protection:** If you connect check sensor to your water source, it will protect your pump from dry-run.
3. **Mistakenly pump on in auto mode:** If in auto mode, if you turn on pump manually from you start panel (on for two switch type panel), it will turn off after 5min.

Setting: Press “MODE” button for more then 2 second to enter to the setting mode. And press “OK” button for next setting options.

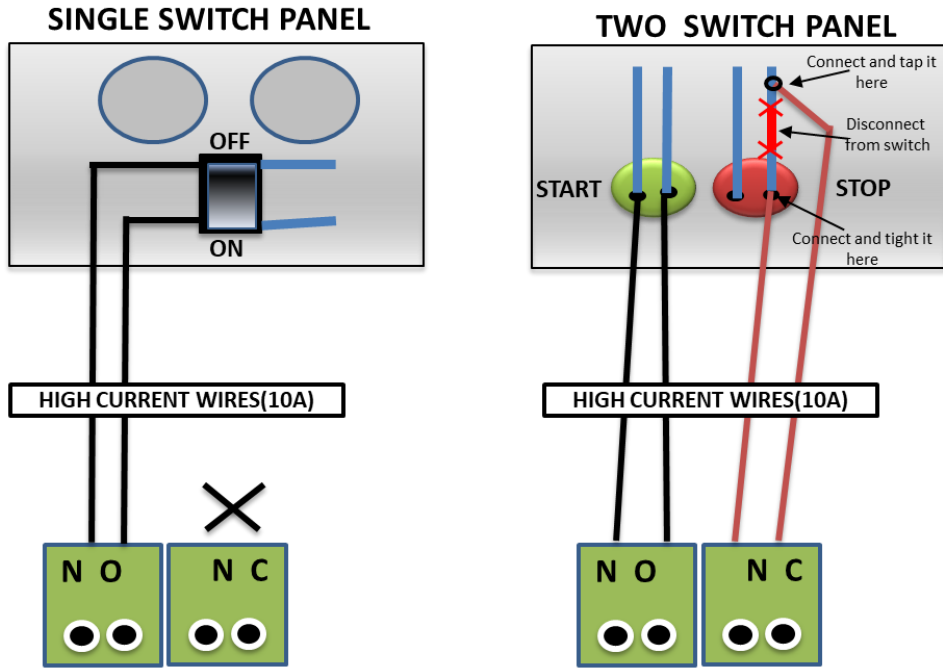
1. **Manual Mode:** Press “up/down” button to select manual mode. It will show selected if it is already selected.
2. **Overflow stop mode:** Press “up/down” button to select manual mode. It will show selected if it is already selected.
3. **Timer stop Mode:** Press “up/down” button to this mode. It will show selected if it is already selected.
4. **Auto start and stop mode:** Press “up/down” button to select this mode. It will show selected if it is already selected.
5. **Pump enable/disable:** Press “up/down” button to enable or disable pump. It will show what is current status of setting. Press “OK” to find next pump (pump1, pump2 and pump3).
6. **Pump switch type setting:** Press “up/down” button to select switch type of each pumps. It will show selected if it is already selected.
7. **Pump operation setting:** Press “up/down” button to select “parallel” or “toggle” pump operation. It will show selected if it is already selected.
8. **Maximum run type:** By pressing “up” and “down” button, you can change values (0 to 255 mins). To change fast, press button for long time.
9. **Timer stop value:** By pressing “up” and “down” button, you can change values (0 to 255 mins).. To change fast, press button for long time.
10. **Check water source time:** By pressing “up” and “down” button, you can change values (0 to 255 mins).. To change fast, press button for long time.
11. **Wait for water source time:** By pressing “up” and “down” button, you can change values (0 to 255 mins).. To change fast, press button for long time.

Pump Connection Type:

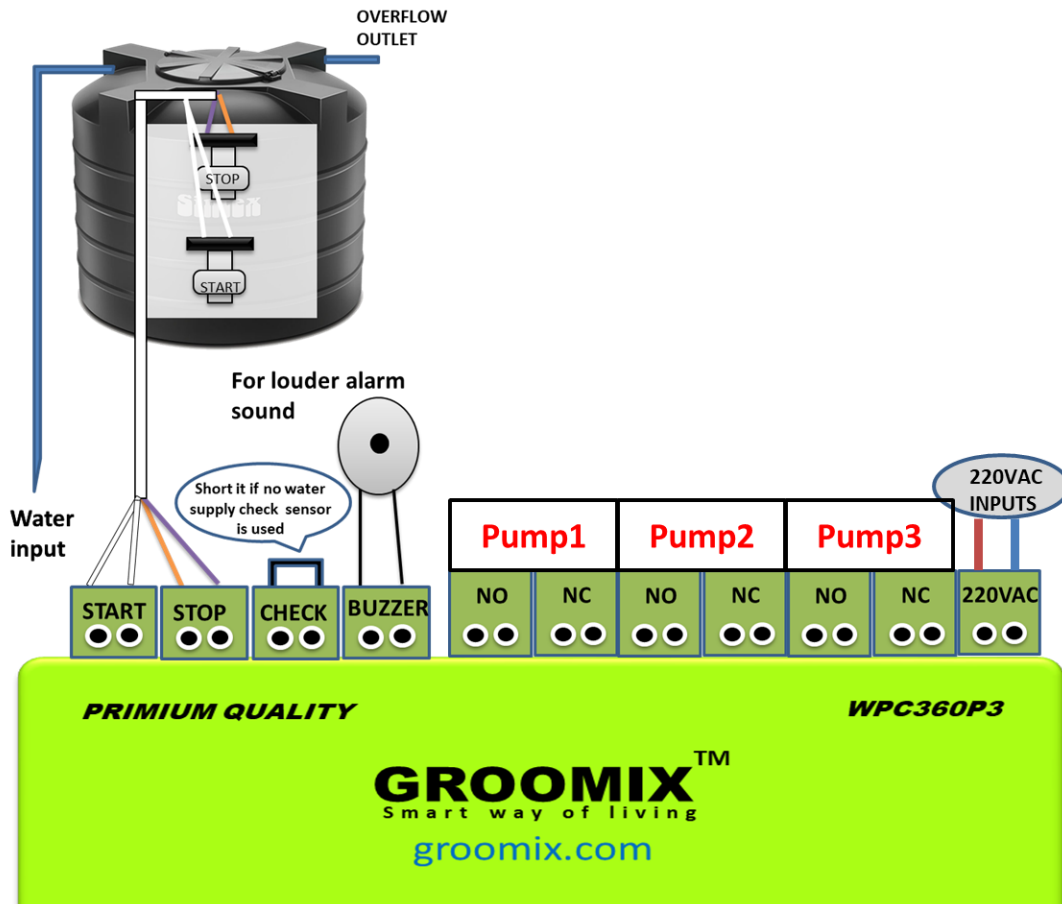
1. **Single Switch Pump System:** Single switch pump system are that pump system which start and stop pump with a single switch. That means, there is a single switch to turn ON/OFF. See connection diagram below connection for more details
2. **Two Switch Pump System:** Two switch pump system are that pump system which have start and stop switch separately. That means, there is an independent switch to turn ON (start button) and turn OFF (stop button). See connection diagram for more details.

Specifications:

1. Power supply: 220Vac
2. Sensors: Floating magnet sensor (Normally Open)
3. Sensor wire: Any telephone wire (4 core)
4. Power supply wire: 0.5 mm or above
5. NC or NO connecting wire: 1.0 mm or Above



CONNECTION DIAGRAM FOR DIFFERENT SWITCH PANEL



CONNECTION DIAGRAM OF SENSORS AND PUMPS